

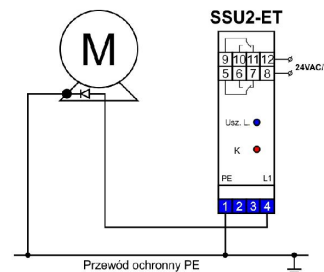
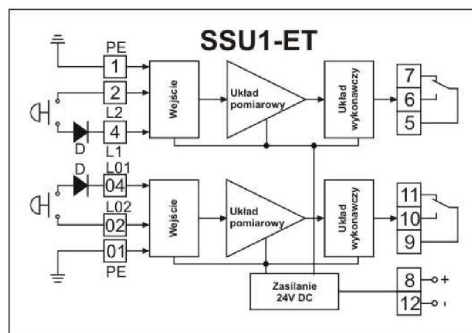
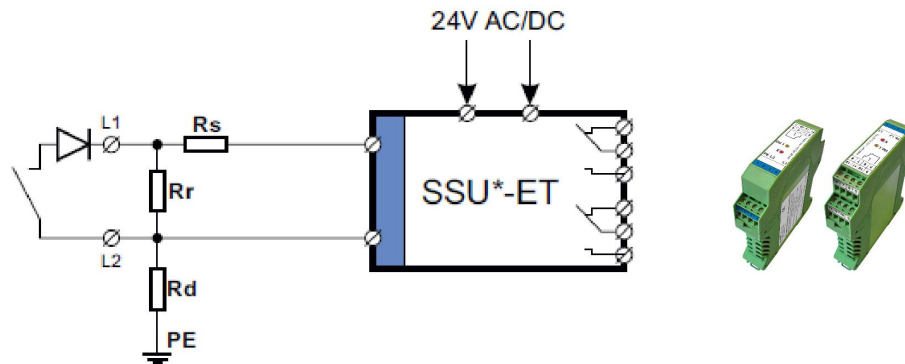
## Separation and control device SSU1-ET, SSU2-ET

Separation and control device SSU \* -ET is intended for the separation of intrinsically safe and non-intrinsically safe circuits. The input signal of the intrinsically safe circuit is a "contact" with the rectifier diode, and the output signal of the non-intrinsically safe circuit is the state of two pairs of NO / NC contact contacts. The device is powered by 24VDC/AC.

It can be used for:

- separation of intrinsically safe circuits from non-intrinsically safe circuits,
- remote control of contacts, sensors or devices operating in circuits security or control circuits,
- controlling, switching on, switching off or blocking electrical devices,
- signaling of the operation status of contacts and interlocks.

The separator is equipped diagnostics of line condition. Diagnostics by displaying a diode indicates: short-circuit or break, lowering the ground fault resistance  $R_d$ , lowering the insulation resistance  $R_r$  between the lines L1 - L2, or exceeding the permissible resistance  $R_s$  of the L1 - L2 loop. The factory setting of resistance is:  $R_s \leq 600\Omega$ ,  $R_r \geq 2000\Omega$ ,  $R_d \geq 2000\Omega$ .



Certificate **OBAC 13 ATEX 0145X**



I (M1) [Ex ia Ma] I; II (1)G [Ex ia Ga] IIC

e-mail: eltech@eltechnet.pl

POLAND